






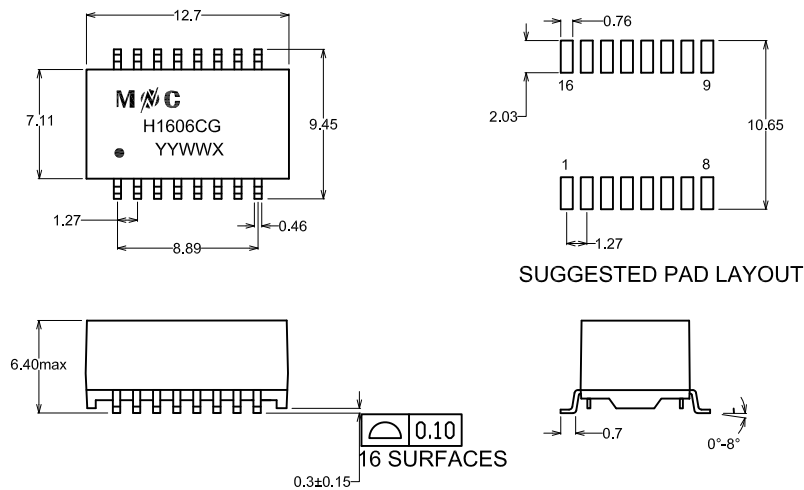
-  Meets IEEE 802.3af & ANSI X3.263 Standards.
-  RoHS Compliant.
-  350mA Current Capability Per PoE Port
-  10/100 Base-T, Surface mount Type, Open Header .
-  Operating temperature range: 0°C to +70°C



### Electrical Specifications @25°C

Part Number	OCL(uH Min) @100KHz,0.2V With 8mA DC Bias	Turns Ratio (±5%)	Insertion Loss (dB Max)		Return Loss (dB Min)		Cross talk (dB Min)		CMRR (dB Min) 0.5-100MHz	HI-POT (Vrms)
			0.5-100MHz	0.5-40MHz	40.1-100MHz	40.1-100MHz	0.5-40MHz	40.1-100MHz		
H1606CG	350	1CT:1CT	-1.1	-18	-12+20*log(f/80)	-35	-30	-30	1500	

## MECHANICAL



Unless otherwise specified all tolerances are:±0.25 in mm

## SCHEMATICS

